



The Light Revolution is Coming!

CUTES, T8s LED Fluorescent Light are the next generation solution to replace conventional fluorescent light; they feature higher efficiency, more reliability compared to the previous generation. They are well suited for use anywhere, home, offices, museums, galleries, shop windows, hotels, restaurants, meeting rooms and as well as in industrial sector, just like conventional fluorescent lights. With patented thermal control technology, and special designed, Cutes Led Tube Light substantially achieves good thermal property and plays more stable performance and of course will last up to 50,000 hours

compared to 5,000 hours from conventional fluorescent light.

Cutes LED Tube Lights adopts high efficiency LED/SMDs, which makes them produce equivalent or better light intensity by consuming only 13 watts ± 10% compare to 40 watts fluorescent lights which is basically 77 watts due to Ballast. Cutes LED Tube Lights can directly drop into existing T8 Fixture/sockets, no need Ballast and Starter. Cutes LED Tube Lights are available in EPS version (External Power Supply) and IPS (Integrated Power Supply).

MODEL	TYPE	DIMENSION	LED QTY	LUMEN	WATT	VOLT	PROTECTIVE GRADE	COLOR TEMPERATURE
CT-T8/8/174	PC	600mm	174	696Lm	8W	220VAC	IP54	4500/5500/6500K
CT-T8/15/285	PC	1200mm	285	1104Lm	15W	220VAC	IP54	4500/5500/6500K
CT-T8/16/342	PC	1200mm	342	1381Lm	16W	220VAC	IP54	4500/5500/6500K

MODEL NUMBER DISCRIPTION & SPECIAL CHARACTERISTICS

- 1 – CT REFER TO THE LIGHT MODEL
- 2 – 8/15/16 REFER TO THE WATT OF ONE TUBE
- 3 – COLOR TEMP 4500K (WARM WHITE), 5500K (WHITE) AND 6500K REFER TO (COOL WHITE)
- 4 – SPEICAL PURPOSE PRODUCT PROFESSIONALLY DESIGNED FOR NATIONAL STANDARD.
- 5 – PRODUCT ADOPT THE LATEST ELECTRIC LIGHT SOURCE TECHNOLOGY OF SEMICONDUCTOR, IT IS UPTO MORE THAN 80% ECONOMIC.

III. LED Fluorescent Lamp and Traditional Fluorescent Lamp.

	LED Fluorescent Light	Traditional Fluorescent Light
Wattage	15W	40W
Life Span	50000 hours, 10 times longer.	8000 hours.
Ballast	NO need	Needed
Brightness Device	NO need	Needed
Power Consumption	14.0W (saves 80-85%)	77W (due to ballast)
Electric Wire	Free from contamination due to high power factor , reduce to have work loss	Ordinary electric flow due to low ballast power.

APPLICATION:

very suitable for a light used in batches and in charge of the lighting demand, for instance various kinds of flowing water production lines and large-scale markets , such as the clothing factory , electronic factory ,etc..

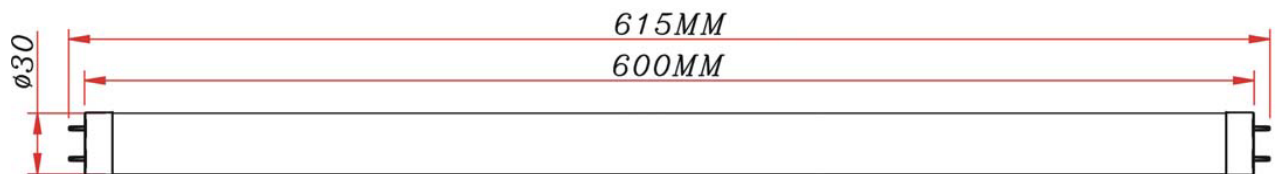


600mm (174) LED Tube

Picture of real products



Dimension (mm)

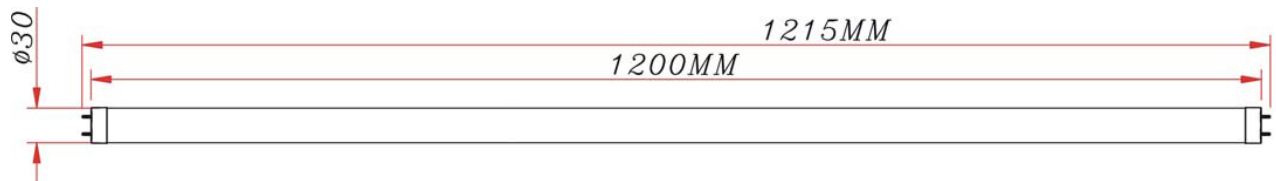


1200mm (285) LED Tube

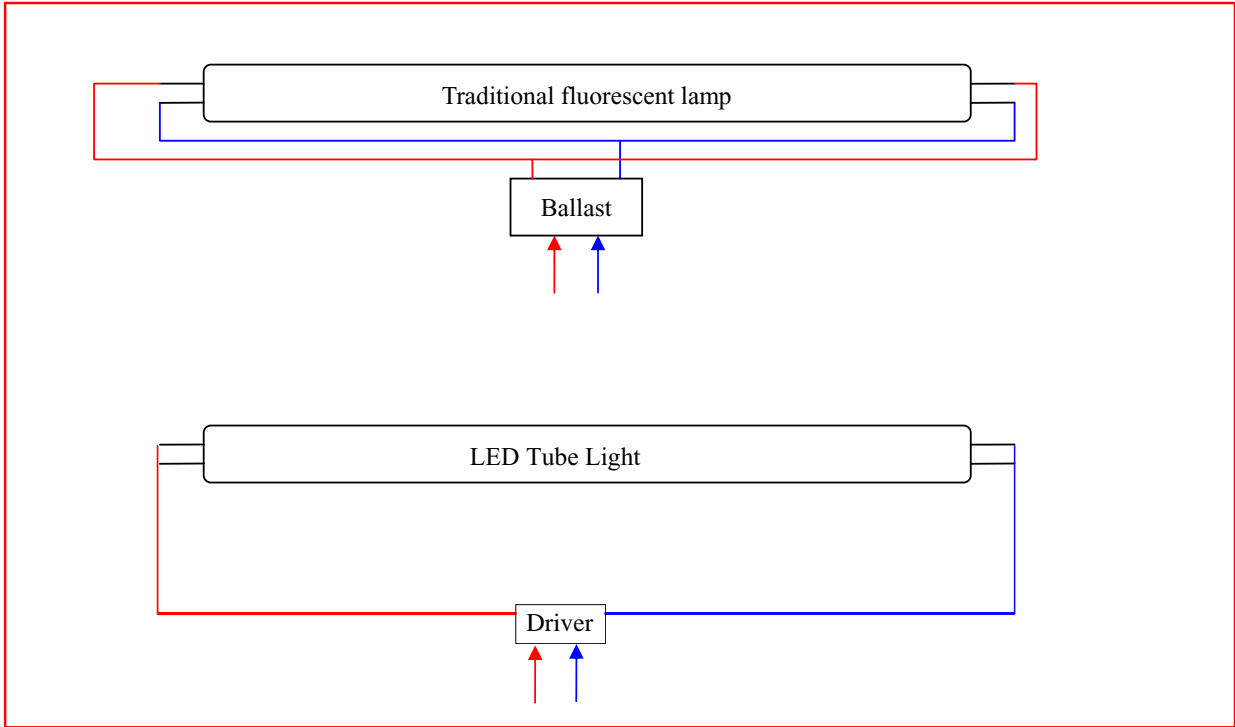
Picture of real products



Dimension (mm)



Installation instruction :





CUTES CORPORATION
NEW WEST TECHNOLOGIES

Say Good Bye to Starter and Ballast (Choke)!!
and simply replace your normal Fluorescent Tube Light (T8) with..

Comparison Chart in between
LEDs Tube Light & Normal Fluorescent Tube Light (T8)

HI IMPECT LEDs Tube Light (T8) Model 15Watt	Normal Fluorescent Tube Light (T8) 77Watt
For Example...	
If 1000 Tube Lights are consuming.....	
Led Tube Light Amp: 0.06	Normal Fluorescent Tube Light Amp: 0.35
13.2Watt X 1000 = 13200 Watt	77 Watt X 1000 = 77000 Watts
Per hour consumption of energy: 13.2KW	Per hour consumption of energy: 77KW
13.2KW X 24Hour = 316.8 Units	77KW X 24Hour = 1,848 Units
316.8 Units X Unit Cost US\$0.08: US\$25.34	1848 Units X Unit Cost \$ 0.08: US\$147.84
US\$ 1152 X 30 Days = US\$ 760.32	US\$ 147.84 X 30 Days = 4,435.20
US\$ 760.32 X 12 Months = US\$ 9,123.84	US\$ 147.48 X 12 Months = 53,222.40
Maintenance Cost: (No required for 10-Years)	Maintenance Cost (US\$ 1205.00 Per Year)
LED TUBE LIGHT LIFE: 50,000~80,000 HOURS	FLUORESCENT TUBE LIGHT LIFE: 6000 HOURS

Outcome from above comparison for 1000 Tube Lights:-

Daily Saving: US\$ 122.50

Monthly Saving: US\$ 3,675

Yearly Saving: US\$ 44,099