



Since 1974

# CVP –SERIES

## Single Stage Water Ring Vacuum Pump



| Technical Data |             |
|----------------|-------------|
| Pump type      | CVP SERIES  |
| Capacity CFM   | 3000~23000  |
| Noise dB(A)*   | 85~95       |
| Weight KGs     | 3,800~17500 |

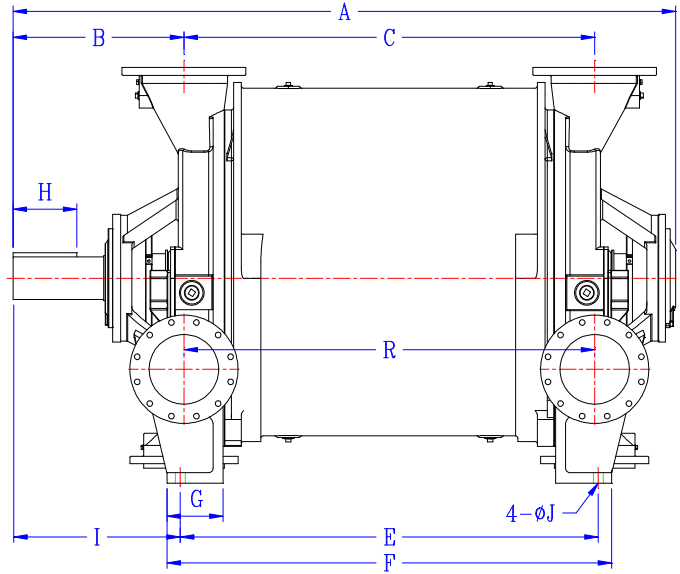
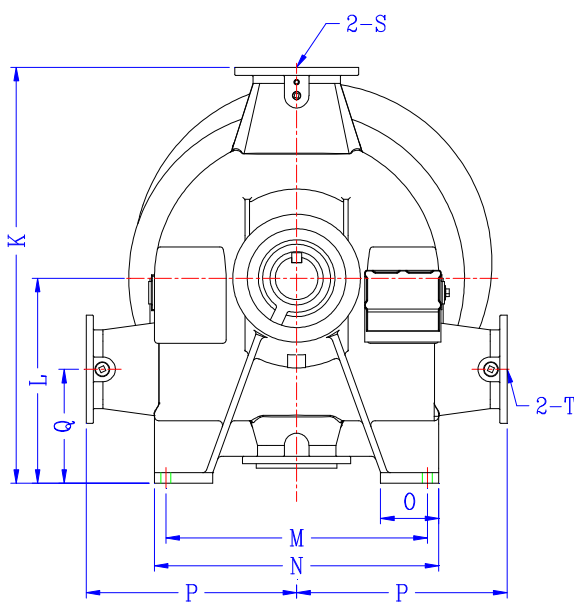
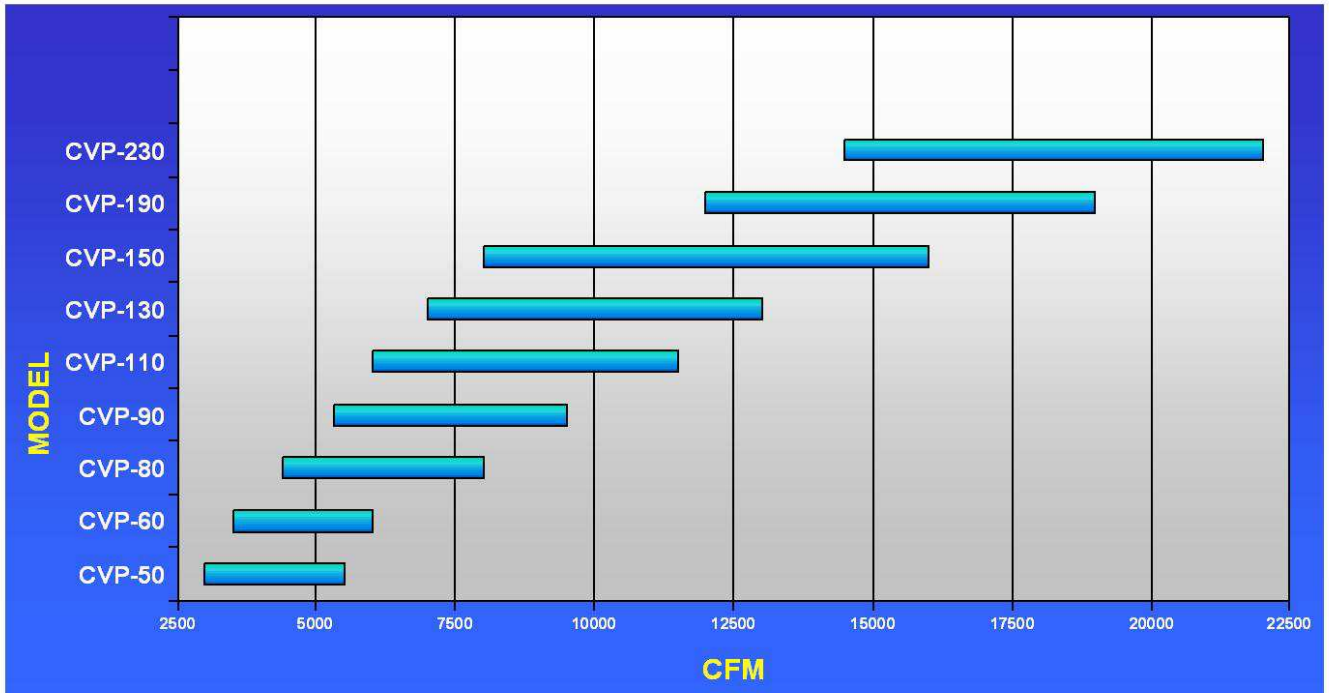
\* With silencer and after inlet and outlet piping in 200Torr.

| Model Order Code         |   |  |
|--------------------------|---|--|
| <b>CVP – 60 L FCD 1M</b> |   |  |
| <b>CVP</b>               | <b>CUTES Corporation Water Ring Vacuum Pump</b><br>(Install Dimension same as <b>Nash 904</b> SERIES model) |  |
| <b>60</b>                | Capacity 6000CFM  |  |
| <b>L</b>                 | Operating Vacuum range  | <b>L</b> : below 400mmHg<br><b>M</b> : 350 ~ 550mmHg<br><b>H</b> : 500 ~ 680mmHg |
| <b>FCD</b>               | Material Construction Code. Ref below table   |  |
| <b>1M</b>                | Seal  | Empty : Gland Packing<br>1M : Single Mech. Seal<br>2M: Double Mech. Seal         |

| Parts Name      | FCD   | STD   | BVC   | FXE4  | XVE4  | XVS   | SS4   | PVC   | PVS   | SS6   |
|-----------------|-------|-------|-------|-------|-------|-------|-------|-------|-------|-------|
| Cones           | FC25  | FC25  | SCS13 | FC25  | SCS13 | SCS13 | SCS13 | SCS14 | SCS14 | SCS14 |
| Head            | FC25  | FC25  | FC25  | FC25  | FC25  | FC25  | SCS13 | FC25  | FC25  | SCS14 |
| Housing         | FC25  | FC25  | FC25  | FC25  | FC25  | SCS13 | SCS13 | FC25  | SCS14 | SCS14 |
| Lining          | ----  | ----  | ----  | 304SS | 304SS | ----  | ----  | ----  | ----  | ----  |
| Shaft           | S45C  | S45C  | SS410 | S45C  | SS410 | SS410 | SS410 | SS410 | SS410 | SS410 |
| Cladding Plate  | ----  | ----  | ----  | 304SS | 304SS | 304SS | ----  | 316SS | 316SS | ----  |
| Bearing Bracket | FCD40 | FCD40 | FCD40 | FCD40 | FCD40 | FCD40 | FCD40 | FCD40 | FCD40 | FCD40 |
| Bearing Cap     | FC25  | FC25  | FC25  | FC25  | FC25  | FC25  | FC25  | FC25  | FC25  | FC25  |
| Rotor           | FCD40 | SCS13 | SCS13 | FCD40 | SCS13 | SCS13 | SCS13 | SCS14 | SCS14 | SCS14 |

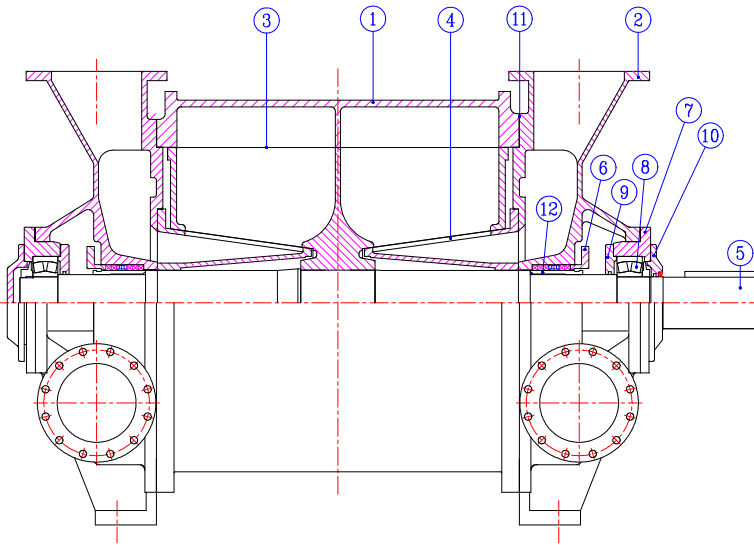


# Capacity



|         | A    | B   | C    | D      | E    | F    | G   | H   | I     | J  | K    | L   | M    | N    | O   | P    | Q   | R    | S   | T   | Piping |
|---------|------|-----|------|--------|------|------|-----|-----|-------|----|------|-----|------|------|-----|------|-----|------|-----|-----|--------|
| CVP-50  | 2188 | 584 | 1289 | 127    | 1168 | 1289 | 184 | 273 | 644.5 | 32 | 1308 | 635 | 966  | 1067 | 184 | 673  | 413 | 1289 | 10" | 8"  | 1.5"   |
| CVP-60  | 2391 | 584 | 1492 | 127    | 1372 | 1492 | 184 | 273 | 644.5 | 32 | 1308 | 635 | 966  | 1067 | 184 | 673  | 413 | 1492 | 10" | 8"  | 1.5"   |
| CVP-80  | 2559 | 617 | 1654 | 177.8  | 1515 | 1667 | 205 | 330 | 687.5 | 44 | 1556 | 762 | 1118 | 1219 | 229 | 800  | 419 | 1654 | 12" | 10" | 1.5"   |
| CVP-90  | 2788 | 617 | 1883 | 177.8  | 1744 | 1895 | 205 | 330 | 687.5 | 44 | 1556 | 762 | 1118 | 1219 | 229 | 800  | 419 | 1883 | 12" | 10" | 1.5"   |
| CVP-110 | 2985 | 765 | 1835 | 190.5  | 1867 | 1988 | 318 | 381 | 749.5 | 44 | 1854 | 914 | 1168 | 1270 | 254 | 940  | 508 | 1835 | 14" | 12" | 2"     |
| CVP-130 | 3175 | 765 | 2013 | 190.5  | 2045 | 2165 | 318 | 381 | 749.5 | 44 | 1854 | 914 | 1168 | 1270 | 254 | 940  | 508 | 2013 | 14" | 12" | 2"     |
| CVP-150 | 3427 | 763 | 2316 | 196.85 | 2348 | 2468 | 318 | 404 | 747   | 44 | 1854 | 914 | 1168 | 1270 | 254 | 940  | 508 | 2316 | 14" | 12" | 2"     |
| CVP-190 | 3657 | 840 | 2400 | 250    | 2450 | 2600 | 370 | 420 | 815   | 48 | 2100 | 950 | 1450 | 1600 | 300 | 1050 | 480 | 2400 | 16" | 14" | 4"     |
| CVP-230 | 3857 | 840 | 2600 | 250    | 2650 | 2800 | 370 | 420 | 815   | 48 | 2100 | 950 | 1450 | 1600 | 300 | 1050 | 480 | 2600 | 16" | 14" | 4"     |

## Section Drawing



| Items | Name            | No.   |
|-------|-----------------|-------|
| 1     | Housing         | 1     |
| 2     | Heads           | 2     |
| 3     | Impeller        | 1     |
| 4     | Cones           | 2     |
| 5     | Shaft           | 1     |
| 6     | Packing Gland   | 1 set |
| 7     | Bearing Carrier | 2     |
| 8     | Bearing         | 2     |
| 9     | IB Cap.         | 2     |
| 10    | OB Cap          | 2     |
| 11    | Gasket          | 1 set |
| 12    | Shaft Sleeve    | 2     |

## Exploded View

| Items | Name             |
|-------|------------------|
| 1     | Bearing Carrier  |
| 2     | Heads with cones |
| 3     | Rotor            |
| 4     | Housing          |

