



Since 1974

## CE1-SERIES

### Single Stage Water Ring Vacuum Pump



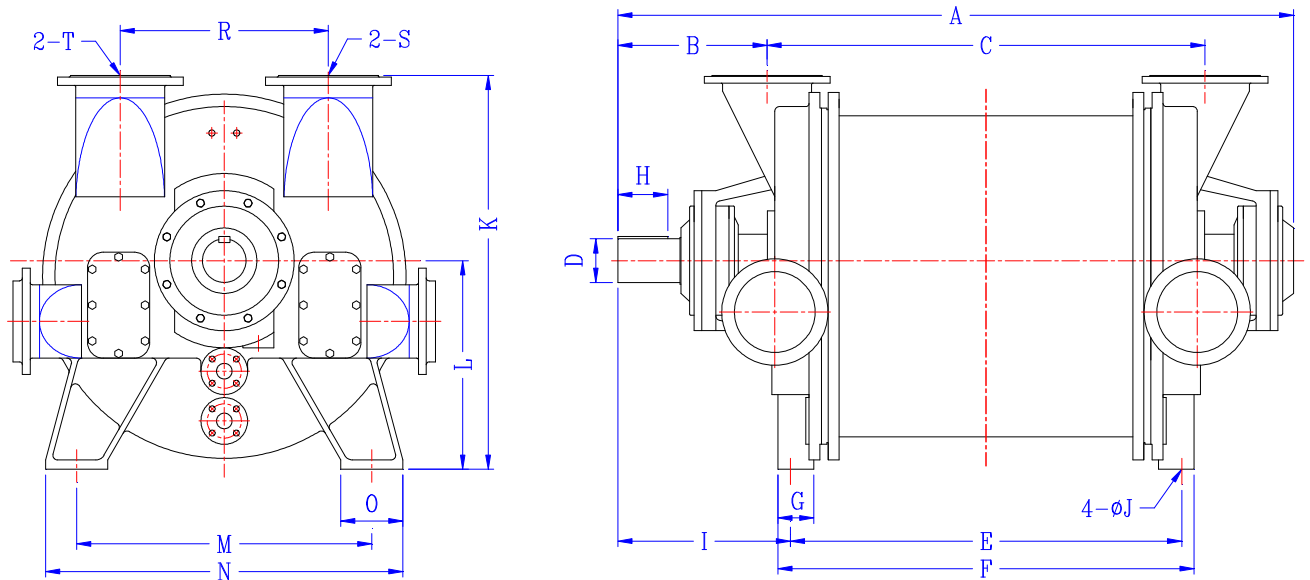
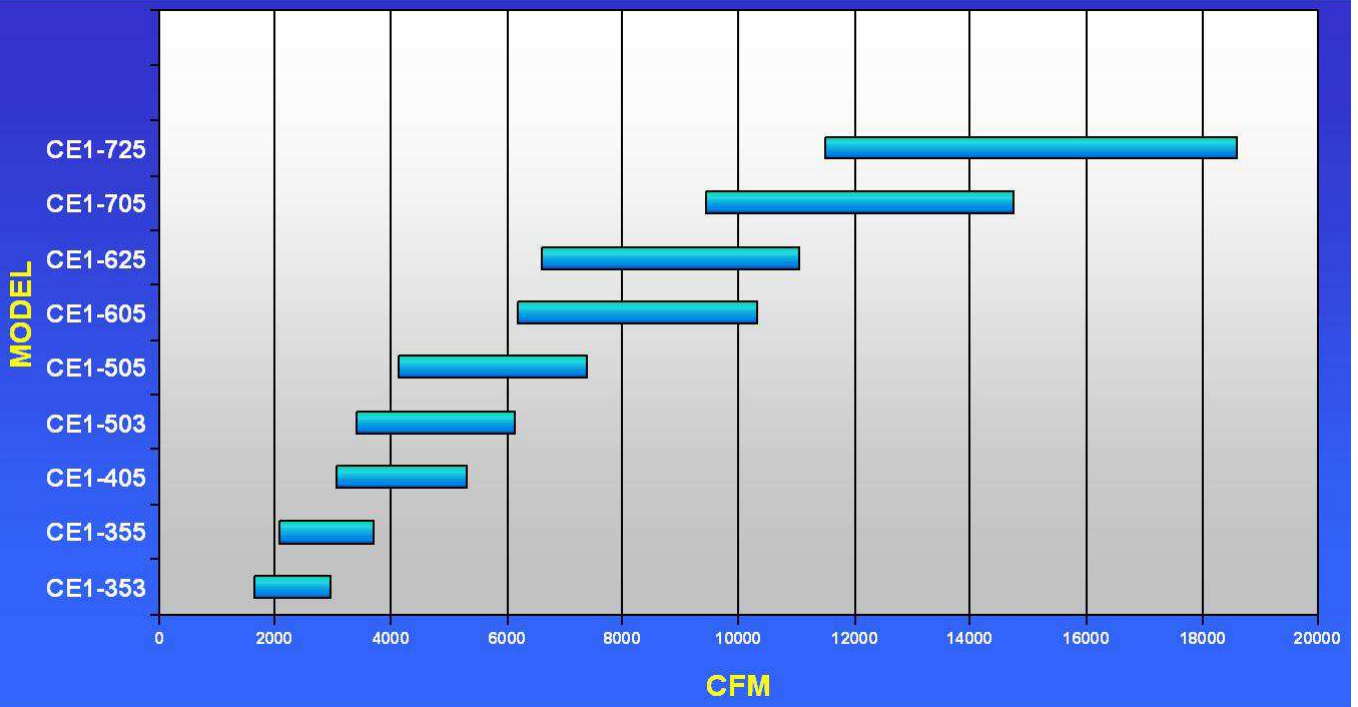
Technical Data	
Pump type	CE1 SERIES
Capacity CFM	1800~18500
Noise dB(A)*	85~95
Weight KGs	2200~14500

\* With silencer and after inlet and outlet piping in 200Torr.

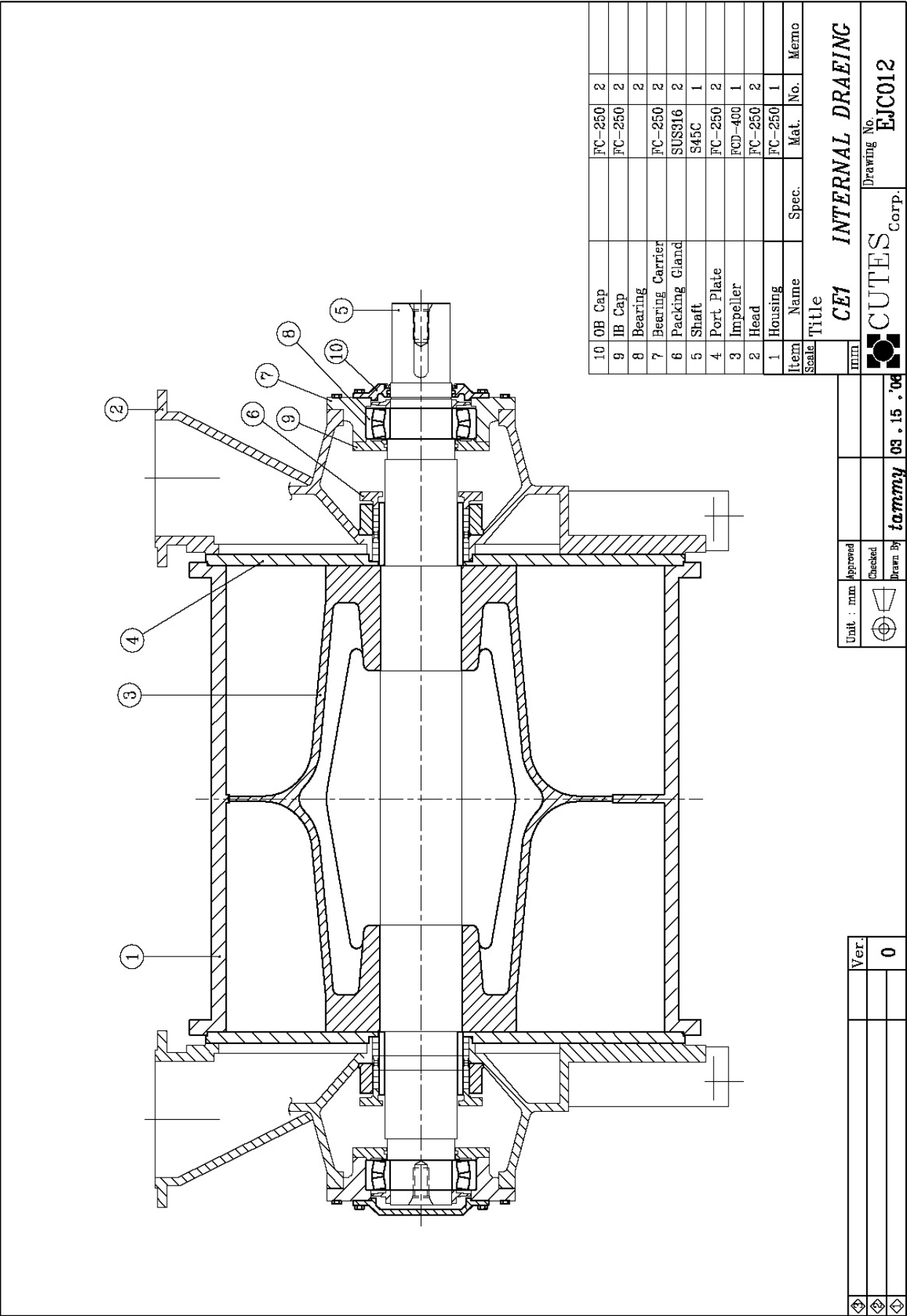
Model Order Code		
<b>CE1 - 60 5 FCD 1M</b>		
<b>CE1</b>	<b>CUTES Corporation</b> Liquid Ring Vacuum Pump with port plate design (Install Dimension same as Siemens 2BE1 SERIES model)	
<b>60 / 62</b>	<b>60 = Rotor Radius 60 cm , 2 = Rotor length extend model</b>	
<b>5</b>	<b>3: High vacuum model, 22" ~ 28"HgG</b> <b>5: Low and medium vacuum type.</b> <b>6: Low and medium vacuum type and casing with partition wall</b>	
<b>FCD</b>	Material Construction Code. Ref below table	
<b>1M</b>	Seal	Empty : Gland Packing 1M : Single Mech. Seal 2M: Double Mech. Seal

Parts Name	FCD	STD	BVC	FXE4	XVE4	XVS	SS4	PVC	PVS	SS6
Port Plate	FC25	FC25	SCS13	FC25	SCS13	SCS13	SCS13	SCS14	SCS14	SCS14
Head	FC25	FC25	FC25	FC25	FC25	FC25	SCS13	FC25	FC25	SCS14
Housing	FC25	FC25	FC25	FC25	FC25	SCS13	SCS13	FC25	SCS14	SCS14
Lining	----	----	----	304SS	304SS	----	----	----	----	----
Shaft	S45C	S45C	SS410	S45C	SS410	SS410	SS410	SS410	SS410	SS410
Bearing Bracket	FCD40	FCD40	FCD40	FCD40	FCD40	FCD40	FCD40	FCD40	FCD40	FCD40
Bearing Cap	FC25	FC25	FC25	FC25	FC25	FC25	FC25	FC25	FC25	FC25
Rotor	FCD40	SCS13	SCS13	FCD40	SCS13	SCS13	SCS13	SCS14	SCS14	SCS14

# Capacity



	A	B	C	D	E	F	G	H	I	J	K	L	M	N	O	R	S	T	Piping
CE1-353	1748	430	1050	120	910	1050	130	165	500	35	1050	560	800	995	200	570	8"	8"	1.5"
CE1-355	1888	430	1190	120	1050	1190	130	165	500	35	1050	560	800	995	200	570	8"	8"	1.5"
CE1-403	2025	480	1260	140	1110	1190	115	160	555	42	1265	670	950	1150	200	670	10"	10"	1.5"
CE1-405	2175	480	1410	140	1260	1340	115	160	555	42	1265	670	950	1150	200	670	10"	10"	1.5"
CE1-503	2265	520	1460	160	1270	1386	150	225	615	42	1475	800	1120	1360	250	770	12"	12"	2"
CE1-505	2445	520	1640	160	1450	1566	150	225	615	42	1475	800	1120	1360	250	770	12"	12"	2"
CE1-605	2740	527	1926	180	1700	1850	180	225	640	48	1770	950	1320	1616	295	870	14"	14"	2.5"
CE1-625	2990	527	2176	180	1950	2100	180	225	640	48	1770	950	1320	1616	295	870	14"	14"	2.5"
CE1-705	3198	600	2280	200	2020	2216	205	260	730	48	2045	1120	1600	1810	305	980	16"	16"	2.5"
CE1-725	3458	600	2540	200	2280	2476	205	260	730	48	2045	1120	1600	1810	305	980	16"	16"	2.5"



10	OB Cap	FC-250	2	
9	IB Cap	FC-250	2	
8	Bearing		2	
7	Bearing Carrier	FC-250	2	
6	Packing Gland	SUS316	2	
5	Shaft	S45C	1	
4	Port Plate	FC-250	2	
3	Impeller	FCD-400	1	
2	Head	FC-250	2	
1	Housing	FC-250	1	
Item Scale	Name	Spec.	Mat. No.	Memo
Title				

	Unit : mm	Approved	Checked	Drawn By	
				<i>tammy</i>	03.15.06
Ver.					
0					
<b>CE1 INTERNAL DRAEING</b>		<b>CUTES Corp.</b>		Drawing No. <b>EJC012</b>	

## Exploded View

Items	Name
1	Bearing Carrier
2	Heads with port plate
3	Rotor
4	Housing

