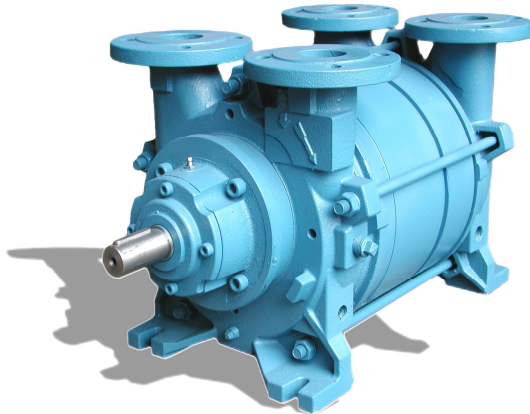




cutes corp.

CPD SERIES

Liquid Ring Vacuum Pump Data Sheet



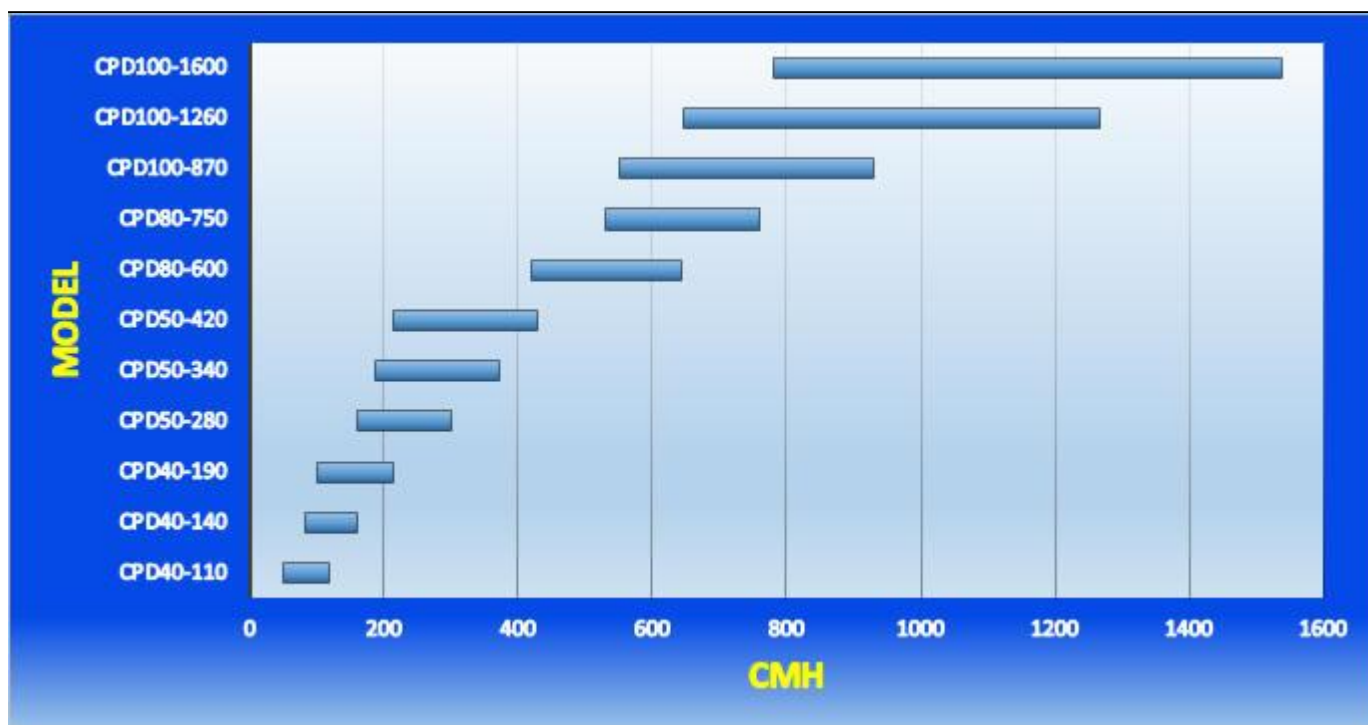
Technical Data	
Pump type	CPD SERIES
Capacity CMH	25~1500
Noise dB(A)*	68~84
Weight KGs	15~462

* With silencer and after inlet and outlet piping in 200Torr.

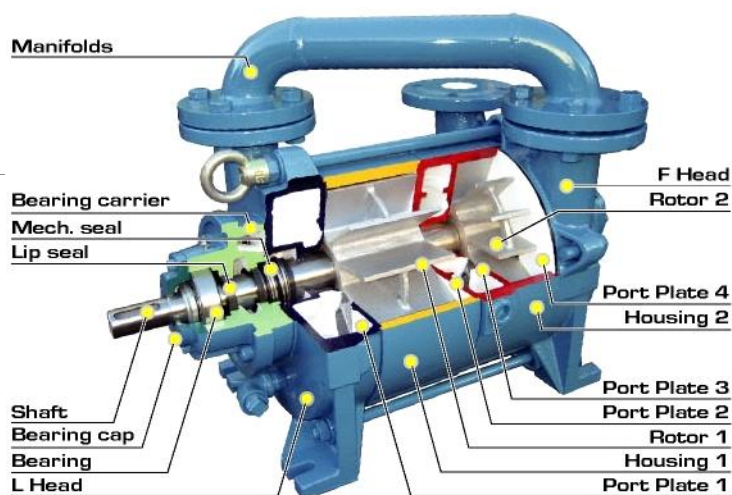
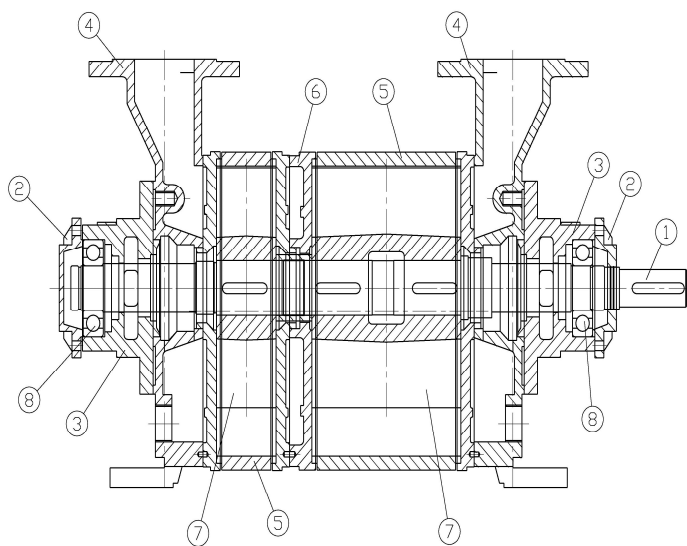
Model Order Code	
<u>CPD 80 – 600 FCD</u>	
CP	CUTES Liquid Ring Vacuum Pump with Port Plate design
D	Double Stage
80	INLET / OUTLET Flange Diameter mm (3")
600	Nominal Capacity (m³/h)
FCD	Material Construction Code. Ref. below table

Parts Name	FCD	STD	BVC	BVH	XVS	SS4	STD6	PVS	SS6
Port Plate	FC 250	FC 250	SCS13	FC 250	SCS 13	SCS 13	FC 250	SCS 14	SCS 14
Head	FC 250	FC 250	FC 250	FC 250	FC 250	SCS 13	FC 250	FC 250	SCS 14
Housing/Casing	FC 250	FC 250	FC 250	SCS13	SCS 13	SCS 13	FC 250	SCS 14	SCS 14
Shaft	SUS 410	SUS 410	SUS 410	SUS410	SUS 410	SUS 410	SUS 316	SUS 316	SUS 316
Rotor/Impeller	FCD 400	SCS13	SCS13	SCS13	SCS 13	SCS 13	SCS14	SCS 14	SCS 14
Bearing Bracket	FC 250	FC 250	FC 250	FC 250	FC 250	FC 250	FC 250	FC 250	FC 250
Bearing Cap	FC 250	FC 250	FC 250	FC 250	FC 250	FC 250	FC 250	FC 250	FC 250

Performance Curves

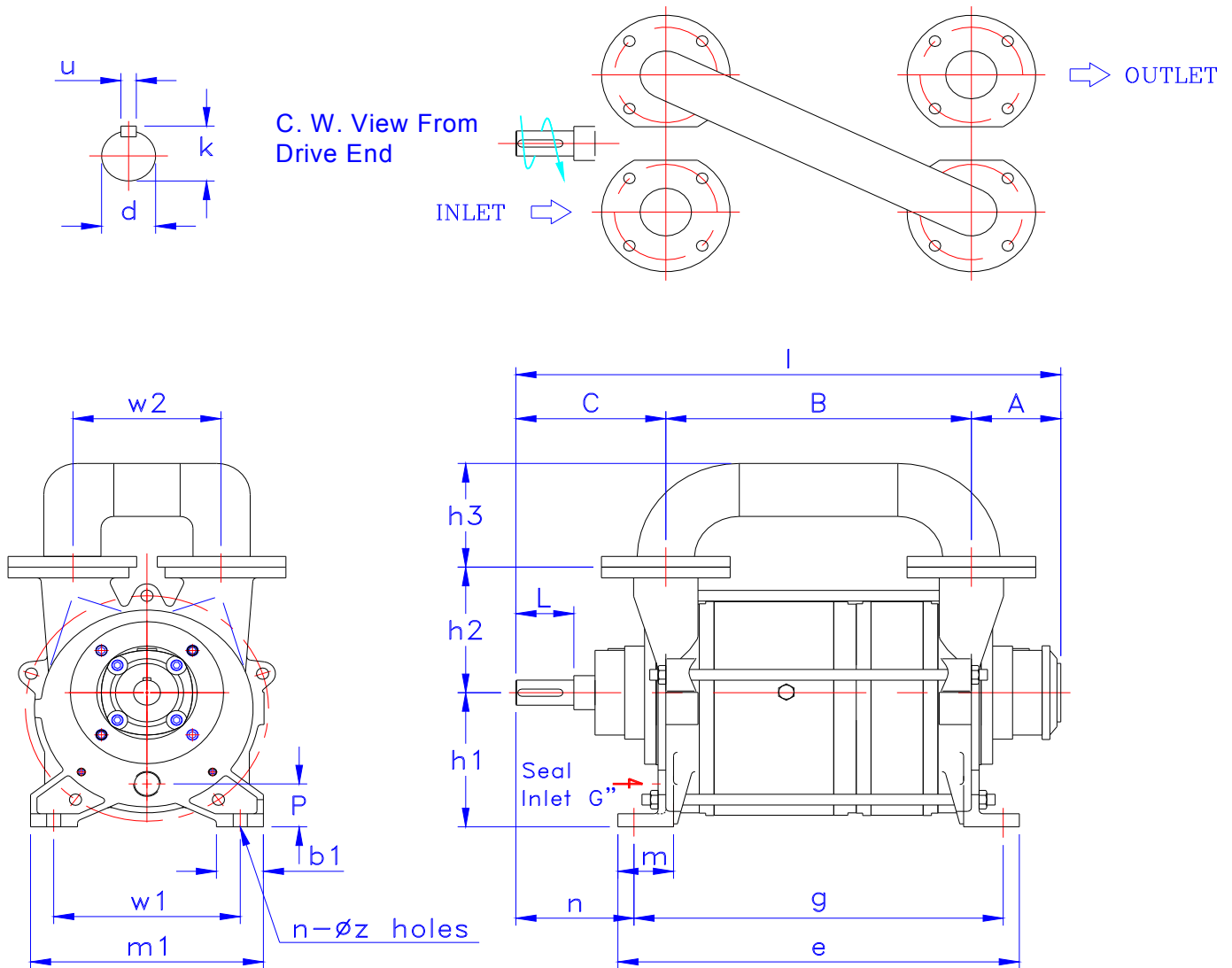


Section Drawing



Items	Name	Items	Name
1	Shaft	5	Impeller Housing
2	Bearing Cover	6	Port Plate
3	Bearing Bracket	7	Impeller
4	Head	8	Bearing

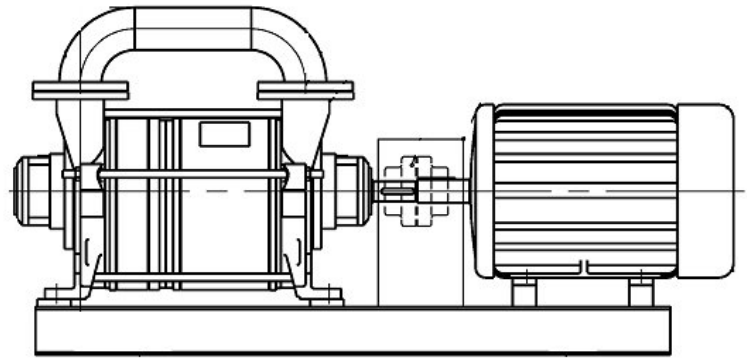
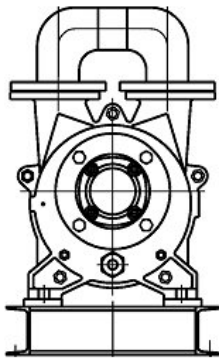
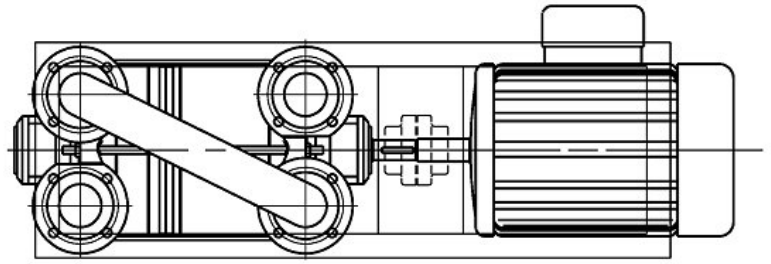
Dimensions (Bare shaft pump)



Pump Model	IN / OUT (IN)	A	B	C	G	I	L	m	n	P	g	e	H1	h2	h3	d	k	u	w1	w2	b1	m1	n - φz	Weight (Kgs)
40-110	1 1/2"	135	239	184	1/2"	558	52	50	153	50	299	339	160	160	80	28	31	8	200	180	50	250	4 - φ 15	70
40-140			269			329					369	79												
40-190			339			399					439	87												
50-280	2"	144	319	216	1"	679	65	70	166	63	419	459	200	180	120	32	35	10	240	230	70	300	4 - φ 16	130
50-340			379			479					519	140												
50-420			419			519					559	145												
80-600	3"	139	475	233	1 1/4"	847	90	85	185	73	575	624	225	210	174	42	45	12	290	230	85	355	4 - φ 18	220
80-750			560			660					709	240												
100-870	4"	137	546	235	1 1/2"	918	90	100	172	95	672	716	315	270	225	60	64	18	330	270	100	410	4 - φ 20	411
100-1260			696			822					866	484												
100-1600			796			922					966	518												

Drawing (Direct drive package)

For Reference



Exploded View

