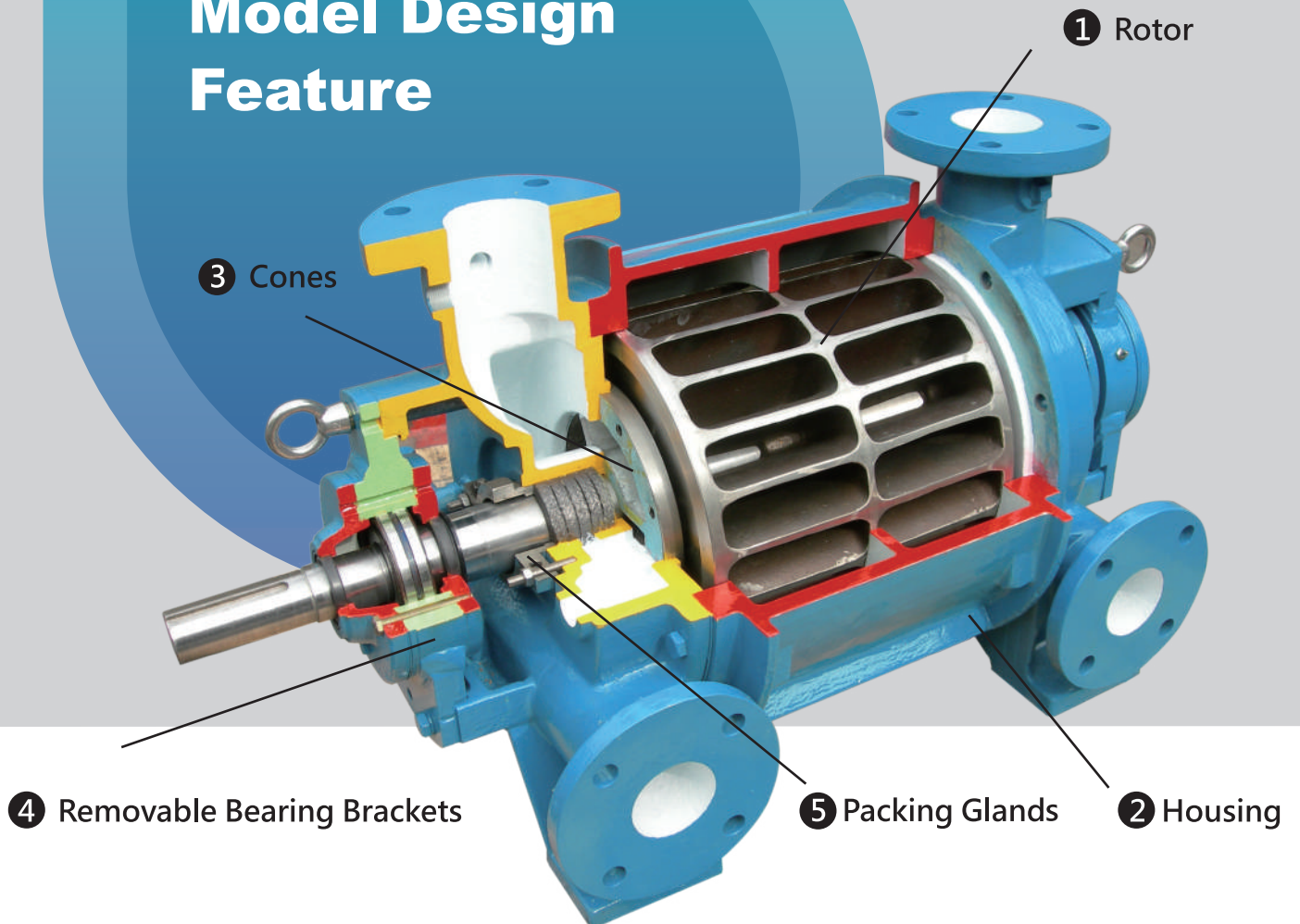


LIQUID RING VACUUM PUMPS/COMPRESSORS



Since 1974 ISO 9001:2015 Certificated

CNN/CVP Model Design Feature



CNN/CVP/CE Material List

Parts Name	FCD	STD	BVC	XVE4	XVS	SS4	SS6
Rotor / Impeller	FCD400	SCS13	SCS13	SCS13	SCS13	SCS13	SCS14
Shaft	S45C	S45C	SS410	SS410	SS410	SS410	SS316
Cone /Portplate	FC200/FCD	FC200/FCD	SCS13	SCS13	SCS13	SCS13	SCS14
Head	FC200	FC200	FC200	FC200	FC200	SCS13	SCS14
Cladding for Head	----	----	----	SS304	SS304	----	----
Housing / Casing	FC200	FC200	FC200	FC200	SCS13	SCS13	SCS14
Liner for Casing	----	----	----	SS304	----	----	----
Packing Gland	SCS13	SCS13	SCS13	SCS13	SCS13	SCS13	SCS13
Bearing Bracket	FCD400	FCD400	FCD400	FCD400	FCD400	FCD400	FCD400
Bearing Cap	FCD400	FCD400	FCD400	FCD400	FCD400	FCD400	FCD400

1 Rotor

High efficiency rotor with 20 blades design.

2 Housing

Standard design with mid-plate.

Both suction sides can be operated at different vacuum services.

3 Cones

Three kinds of choices for services low.

Medium and high vacuum.

01 - below 16 inHG

02 - 14~22 inHG

03 - 20~27 inHG

4 Removable Bearing Brackets

Patent design of removable bearing bracket.

Taiwan Pat. No.:098373

5 Packing Glands

Cast stainless steel material.

Material and shaft seal option

Various materials and shaft seal can be option for different application.



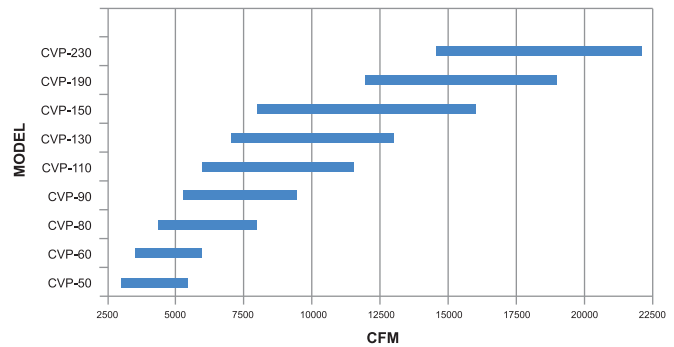
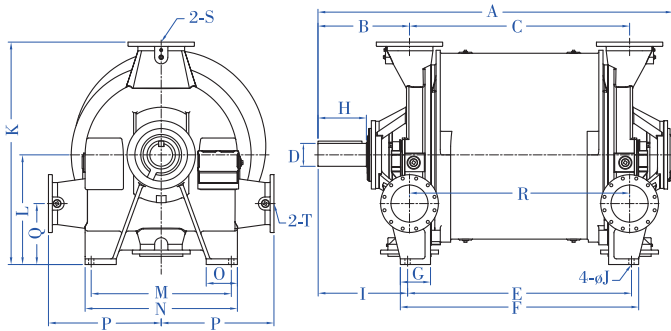
< ISO 9001 Certificate

Before **cutes** pump shipped, we run and test each vacuum pump at our factory to make sure that it meets capacity and power consumption specification. You are welcome to certify test sheet at no extra cost.

CVP Model

Single Stage /
Conical Type

Capacity 3000~23000 CFM

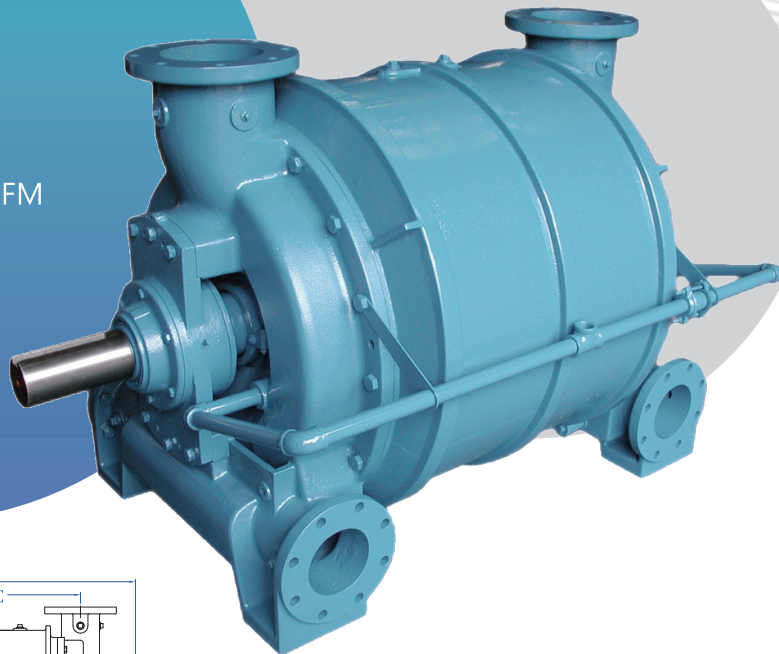


	A	B	C	D	E	F	G	H	I	J	K	L	M	N	O	P	Q	R	S	T	Piping
CVP-50	2188	584	1289	127	1168	1289	184	273	644.5	32	1308	635	966	1067	184	673	413	1289	10"	8"	1.5"
CVP-60	2391	584	1492	127	1372	1492	184	273	644.5	32	1308	635	966	1067	184	673	413	1492	10"	8"	1.5"
CVP-80	2559	617	1654	177.8	1515	1667	248	330	687.5	44	1556	762	1118	1219	229	800	419	1654	12"	10"	1.5"
CVP-90	2788	617	1883	177.8	1743	1895	248	330	687.5	44	1556	762	1118	1219	229	800	419	1883	12"	10"	1.5"
CVP-110	2946	765	1835	190.5	1867	1988	318	404	747	44	1854	914	1168	1270	254	940	508	1835	14"	12"	2"
CVP-130	3124	765	2013	190.5	2045	2165	318	404	747	44	1854	914	1168	1270	254	940	508	2013	14"	12"	2"
CVP-150	3427	763	2316	196.85	2348	2468	318	404	747	44	1854	914	1168	1270	254	940	508	2316	14"	12"	2"
CVP-190	3657	840	2400	250	2450	2600	370	420	815	48	2100	950	1450	1600	300	1050	480	2400	16"	14"	4"
CVP-230	3857	840	2600	250	2650	2800	370	420	815	48	2100	950	1450	1600	300	1050	480	2600	16"	14"	4"

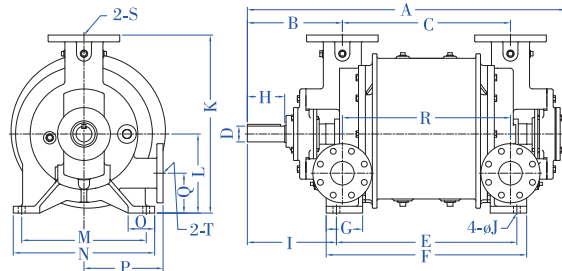
CNN Model

Single Stage /
Conical Type

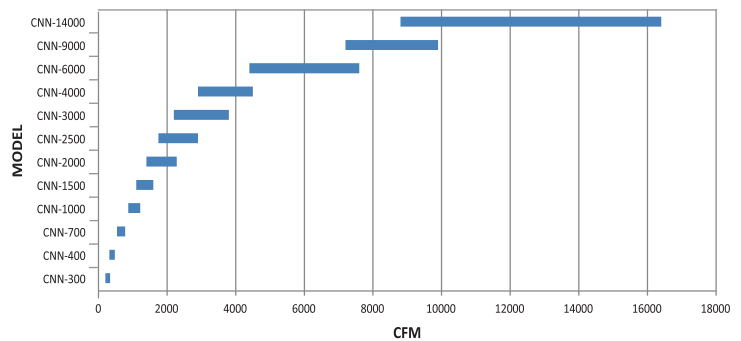
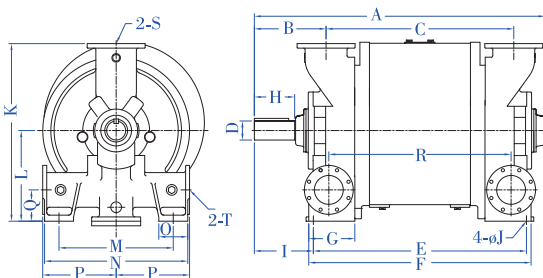
Capacity 200~14000 CFM



CNN300~CNN1500



CNN2000~CNN14000

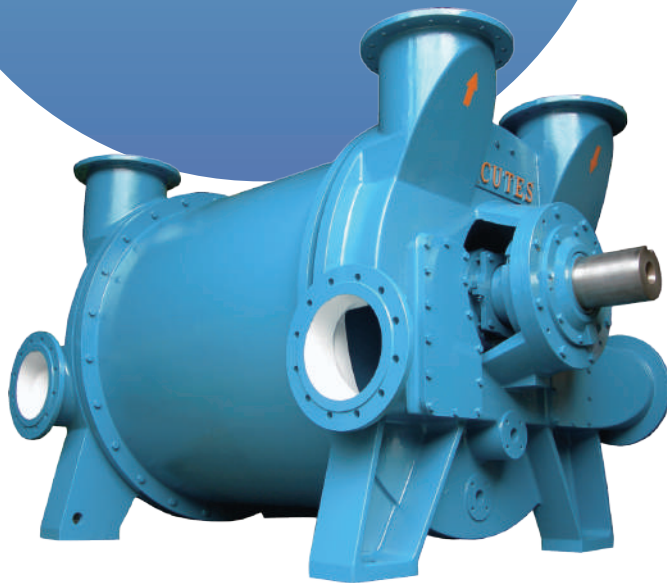


	A	B	C	D	E	F	G	H	I	J	K	L	M	N	O	P	Q	R	S	T	Piping
CNN-300	812	241	432	38.1	410	460	86	102	252	22	406	203	216	266	78	190	165	432	3"	2"	0.5"
CNN-400	902	284	448	41.275	508	572	117	105	254	22	483	229	356	406	80	229	127	448	3"	2.5"	0.75"
CNN-700	1022	301	540	50.8	578	644	117	117	283	22	572	254	400	454	85	254	128	540	4"	3"	1"
CNN-1000	1216	327	680	69.85	632	708	116	120	351	25	660	305	419	480	88	317	194	680	5"	4"	1"
CNN-1500	1330	347	830	76.2	724	858	116	140	400	25	660	305	419	480	88	317	194	830	5"	4"	1"
CNN-2000	1508	400	908	92.075	1044	1158	203	200	332	32	914	432	622	750	126	381	216	912	6"	5"	1"
CNN-2500	1640	400	1038	95.25	1174	1288	203	200	332	32	914	432	622	750	126	381	216	1042	6"	5"	1"
CNN-3000	1733	464	1028	101.6	1232	1344	222	228	362	32	1118	533	711	864	146	444	178	1054	8"	6"	1"
CNN-4000	2035	502	1314	133.3	1492	1582	305	282	413	32	1244	635	800	1003	203	514	219	1276	10"	8"	1.5"
CNN-6000	2243	550	1428	163.513	1150	1644	305	280	689	45	1683	838	1130	1334	230	679	279	1428	12"	10"	1.5"
CNN-9000	2445	591	1562	174.62	1360	1828	305	165	692	45	2057	1016	1320	1422	216	813	356	1562	14"	12"	2"
CNN-14000	3260	629	2286	209.55	2010	2614	330	292	717	45	2083	1016	1320	1424	280	813	495	2286	18"	14"	2"

CE1/CE3 Model

Single Stage /
Port Plate

Capacity 1800-19000 CFM

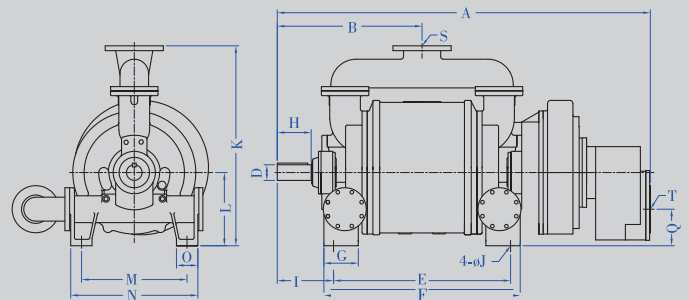
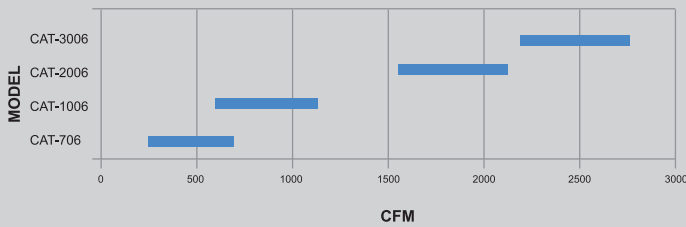


CE1

	A	B	C	D	E	F	G	H
CE1-103	795	246	327	35	316	460	55	5
CE1-153	885	258	392	35	380	520	70	5
CE1-202	975	293	427	50	395	540	90	8
CE1-203	1095	293	547	50	515	660	90	8
CE1-252	1245	345	570	70	525	670	105	10
CE1-253	1395	345	718	70	675	820	105	10
CE1-303	1580	430	890	100	864	1000	130	10
CE1-353	1748	430	1050	120	910	1050	130	10
CE1-355	1888	430	1190	120	1050	1190	130	10
CE1-403	2025	480	1260	140	1110	1190	115	20
CE1-405	2175	480	1410	140	1260	1340	115	20
CE1-503	2265	520	1460	160	1270	1386	150	20
CE1-505	2445	520	1640	160	1450	1566	150	20
CE1-605	2740	527	1926	180	1700	1850	180	20
CE1-625	2990	527	2176	180	1950	2100	180	20
CE1-705	3198	600	2280	200	2020	2216	205	20
CE1-725	3458	600	2540	200	2280	2476	205	20

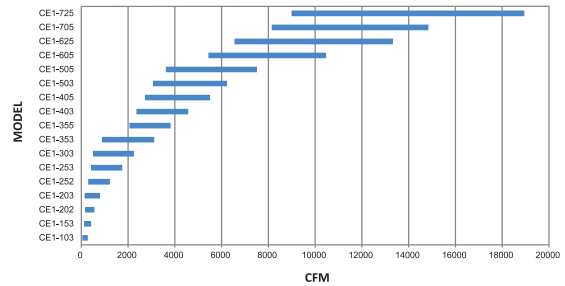
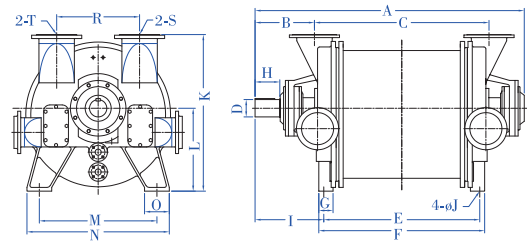
CE3

	A	B	C	D	E	F	G	H
CE3-400	2053	550	169	130	1130	1210	220	20
CE3-420	2342	550	1458	130	1392	1470	220	20
CE3-500	2606	675	1568	160	1492	1600	250	30
CE3-520	2855	675	1817	160	1740	1856	250	30
CE3-600	2857	655	1845	180	1749	1900	300	30
CE3-620	3148	655	2136	180	2040	2190	300	30
CE3-670	3389	733	2280	200	2200	2480	300	30
CE3-720	3589	722	2500	200	2390	2586	340	30

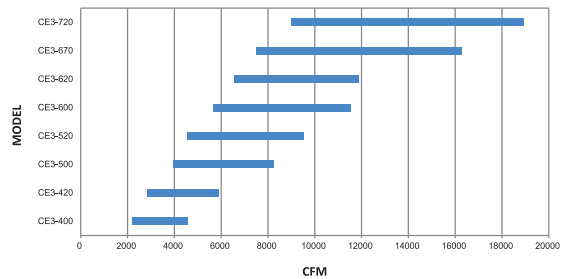
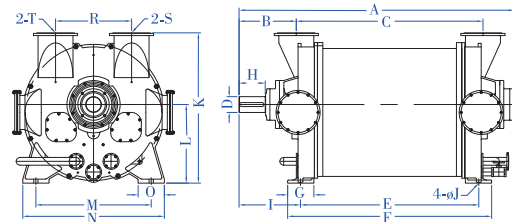


	A	B	D	E	F	G	H	I	J	K	L	M	N	O	Q	S	T	Piping
CAT-706	1460	508	50.8	578	644	116	117	285	22	787	254	400	454	85	128	6"	4"	1"
CAT-1006	1778	667	69.85	632	708	116	120	351	25	901	305	419	480	88	194	8"	5"	1"
CAT-2006	2200	854	92.75	1044	1158	203	200	332	32	1180	432	622	750	126	216	8"	6"	1"
CAT-3006	2515	978	101.6	1232	1344	222	228	362	32	1674	533	711	864	146	178	10"	8"	1"

CE1 Outline Dimensions



CE3 Outline Dimensions



H	I	J	K	L	M	N	O	R	S	T	Piping
58	252	15	355	180	220	420	55	210	2"	2"	3/4"
58	264	19	425	225	260	460	70	250	2.5"	2.5"	3/4"
82	359	24	590	315	340	540	90	310	4"	4"	1"
82	309	24	590	315	340	540	90	310	4"	4"	1"
105	367	28	755	400	465	665	105	430	5"	5"	1 1/4"
105	367	28	755	400	465	665	105	430	5"	5"	1 1/4"
165	480	35	910	335	670	870	200	460	6"	6"	1"
165	500	35	1050	560	800	995	200	570	8"	8"	1.5"
165	500	35	1050	560	800	995	200	570	8"	8"	1.5"
200	555	42	1265	670	950	1150	200	670	10"	10"	1.5"
200	555	42	1265	670	950	1150	200	670	10"	10"	1.5"
240	615	42	1475	800	1120	1360	250	770	12"	12"	1.5"
240	615	42	1475	800	1120	1360	250	770	12"	12"	1.5"
240	640	48	1770	950	1320	1616	295	870	14"	14"	2"
240	640	48	1770	950	1320	1616	295	870	14"	14"	2"
280	730	48	2045	1120	1600	1810	305	980	16"	16"	2.5"
280	730	48	2045	1120	1600	1810	305	980	16"	16"	2.5"

H	I	J	K	L	M	N	O	R	S	T	Piping
200	583	42	1160	620	875	1075	215	600	10"	10"	1.5"
200	583	42	1160	620	875	1075	215	600	10"	10"	1.5"
300	713	42	1450	775	1120	1360	250	770	12"	12"	2"
300	713	42	1450	775	1120	1360	250	770	12"	12"	2"
300	703	48	1720	900	1320	1616	300	870	14"	14"	3"
300	703	48	1720	900	1320	1616	300	870	14"	14"	3"
350	773	48	1855	975	1400	1740	320	920	14"	14"	3"
350	777	48	1985	1060	1600	1810	305	980	16"	16"	3"

CAT Model

Double Stage /
Conical type

Capacity 500~3000 CFM
Max Vacuum 1inHg(A)



Local Agent Contact Information



CUTES CORPORATION

TEL : +886-3-452-6161(Hunting) · 886-3-461-2333

FAX : +886-3-452-6227 · 886-3-451-1347

E-mail : sales@cutes.com.tw

Head office - No.2-22, Nanyuan Rd., Zhongli Dist., Taoyuan City 320, Taiwan (R.O.C.)

TEL : +886-3-452-6161(Hunting) · 886-3-461-2333

FAX : +886-3-452-6227 · 886-3-451-1347

E-mail : sales@cutes.com.tw

Kaohsiung - 8F., No. 22-8, Demin Rd., Nanzi Dist., Kaohsiung City 811, Taiwan (R.O.C.)

TEL : +886-7-366-3799

E-mail : cutes_ks@cutes.com.tw

Zhejiang - No. 588, Chuangye Road, Xindai Town, Pinghu City, Zhejiang Province

TEL : +86-573-8560-9911

FAX : +86-573-8560-1093

