

# CVP –SERIES

## Single Stage Water Ring Vacuum Pump



Technical Data	
Pump type	CVP SERIES
Capacity CFM	3000~23000
Noise dB(A)*	85~95
Weight KGs	3,800~17500

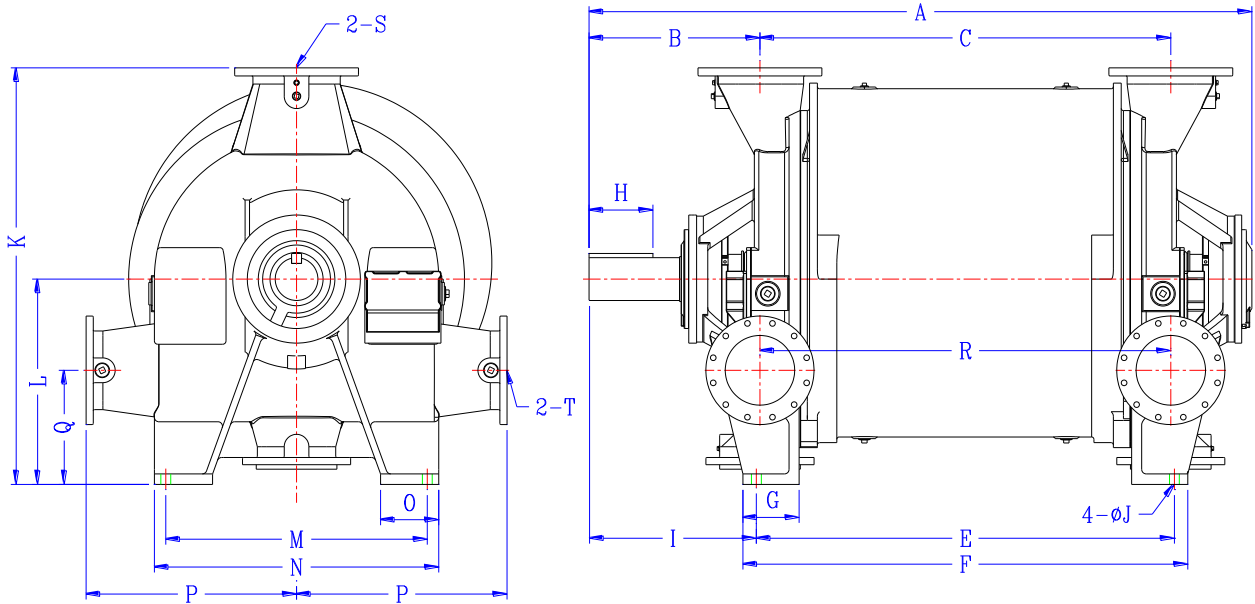
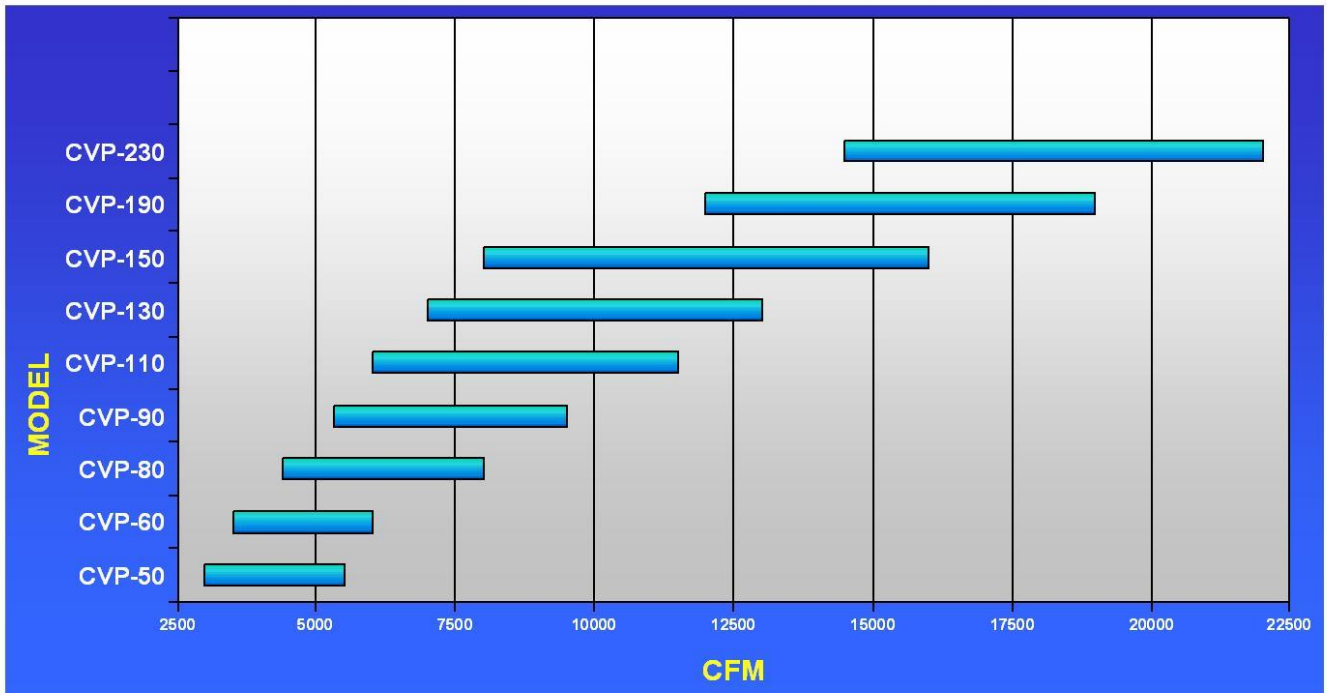
\* With silencer and after inlet and outlet piping in 200Torr.

Model Order Code		
<b><u>CVP – 60 L FCD 1M</u></b>		
<b>CVP</b>	<b>CUTES Corporation</b> Water Ring Vacuum Pump (Install Dimension same as <b>Nash 904 P</b> model)	
<b>60</b>	Capacity 6000CFM	
<b>L</b>	Operating Vacuum range	<b>L</b> : below 400mmHg <b>M</b> : 350 ~ 550mmHg <b>H</b> : 500 ~ 680mmHg
<b>FCD</b>	Material Construction Code. Ref below table	
<b>1M</b>	Seal	Empty : Gland Packing 1M : Single Mech. Seal 2M: Double Mech. Seal

Parts Name	FCD	STD	BVC	FXE4	XVE4	XVS	SS4	PVC	PVS	SS6
<b>Cones</b>	FC25	FC25	SCS13	FC25	SCS13	SCS13	SCS13	SCS14	SCS14	SCS14
<b>Head</b>	FC25	FC25	FC25	FC25	FC25	FC25	SCS13	FC25	FC25	SCS14
<b>Housing</b>	FC25	FC25	FC25	FC25	FC25	SCS13	SCS13	FC25	SCS14	SCS14
<b>Lining</b>	----	----	----	304SS	304SS	----	----	----	----	----
<b>Shaft</b>	S45C	S45C	SS410	S45C	SS410	SS410	SS410	SS410	SS410	SS316
<b>Cladding Plate</b>	----	----	----	304SS	304SS	304SS	----	316SS	316SS	----
<b>Bearing Bracket</b>	FCD40	FCD40	FCD40	FCD40	FCD40	FCD40	FCD40	FCD40	FCD40	FCD40
<b>Bearing Cap</b>	FCD40	FCD40	FCD40	FCD40	FCD40	FCD40	FCD40	FCD40	FCD40	FCD40
<b>Rotor</b>	FCD40	SCS13	SCS13	FCD40	SCS13	SCS13	SCS13	SCS14	SCS14	SCS14

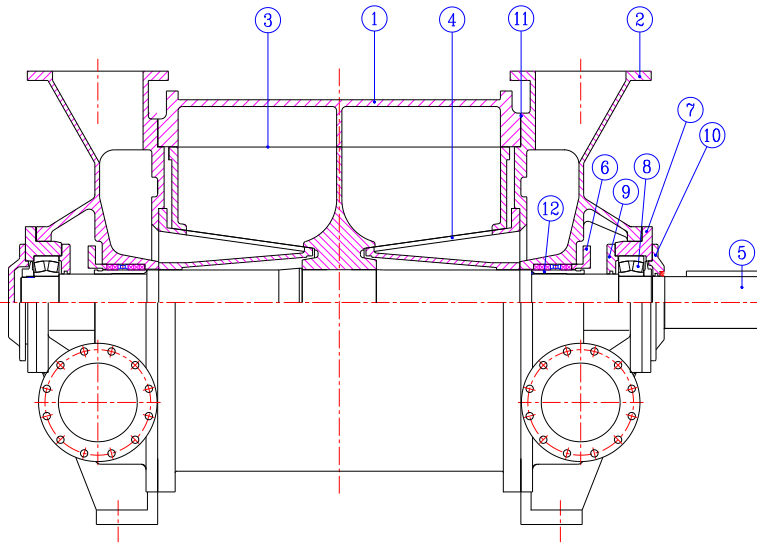
**ISO 9001 Certified**

## Capacity



	A	B	C	D	E	F	G	H	I	J	K	L	M	N	O	P	Q	R	S	T	Piping
CVP-50	2188	584	1289	127	1168	1289	184	273	644.5	32	1308	635	966	1067	184	673	413	1289	10"	8"	1.5"
CVP-60	2391	584	1492	127	1372	1492	184	273	644.5	32	1308	635	966	1067	184	673	413	1492	10"	8"	1.5"
CVP-80	2559	617	1654	177.8	1515	1667	248	330	687.5	44	1556	762	1118	1219	229	800	419	1654	12"	10"	1.5"
CVP-90	2788	617	1883	177.8	1743	1895	248	330	687.5	44	1556	762	1118	1219	229	800	419	1883	12"	10"	1.5"
CVP-110	2985	765	1835	190.5	1867	1988	318	381	749.5	44	1854	914	1168	1270	254	940	508	1835	14"	12"	2"
CVP-130	3175	765	2013	190.5	2045	2165	318	381	749.5	44	1854	914	1168	1270	254	940	508	2013	14"	12"	2"
CVP-150	3427	763	2316	196.85	2348	2468	318	404	747	44	1854	914	1168	1270	254	940	508	2316	14"	12"	2"
CVP-190	3657	840	2400	250	2450	2600	370	420	815	48	2100	950	1450	1600	300	1050	480	2400	16"	14"	4"
CVP-230	3857	840	2600	250	2650	2800	370	420	815	48	2100	950	1450	1600	300	1050	480	2600	16"	14"	4"

## Section Drawing



Items	Name	No.
1	Housing	1
2	Heads	2
3	Impeller	1
4	Cones	2
5	Shaft	1
6	Packing Gland	1 set
7	Bearing Carrier	2
8	Bearing	2
9	IB Cap.	2
10	OB Cap	2
11	Gasket	1 set
12	Shaft Sleeve	2

## Exploded View

