

CNN SERIES

Single Stage Water Ring Vacuum Pump



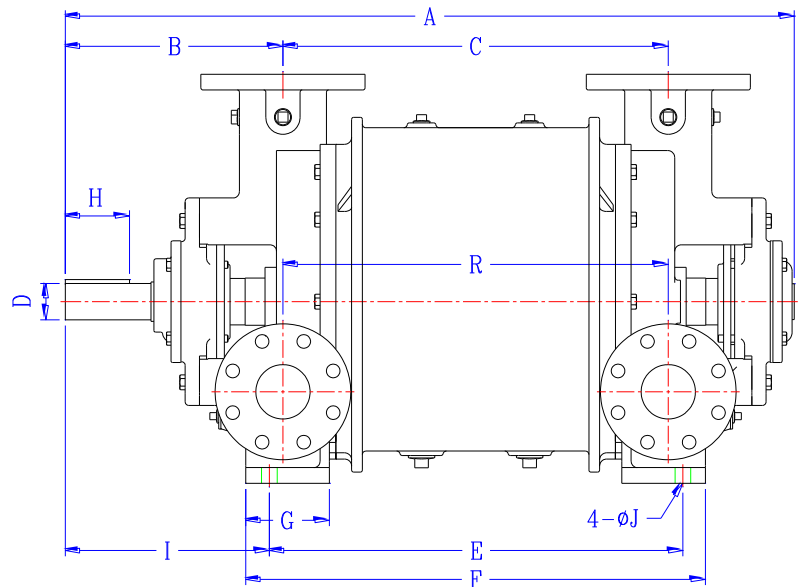
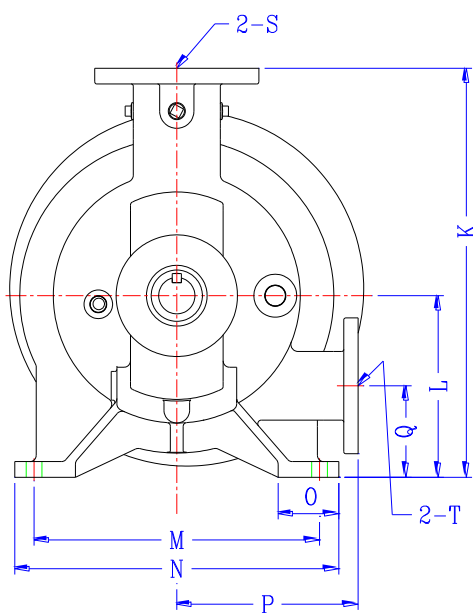
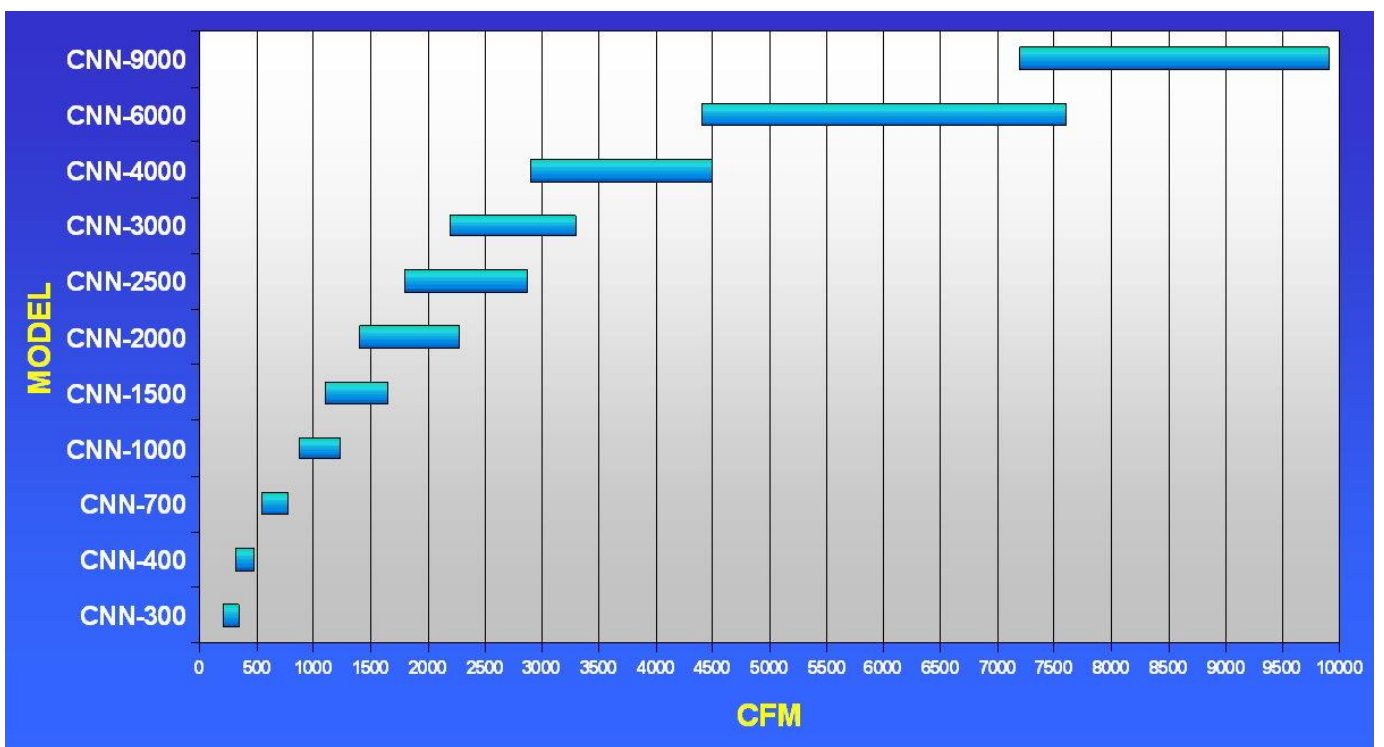
Technical Data	
Pump type	CNN SERIES
Capacity CFM	300~9800
Noise dB(A)*	78~88
Weight KGs	145~8500

* With silencer and after inlet and outlet piping in 200Torr.

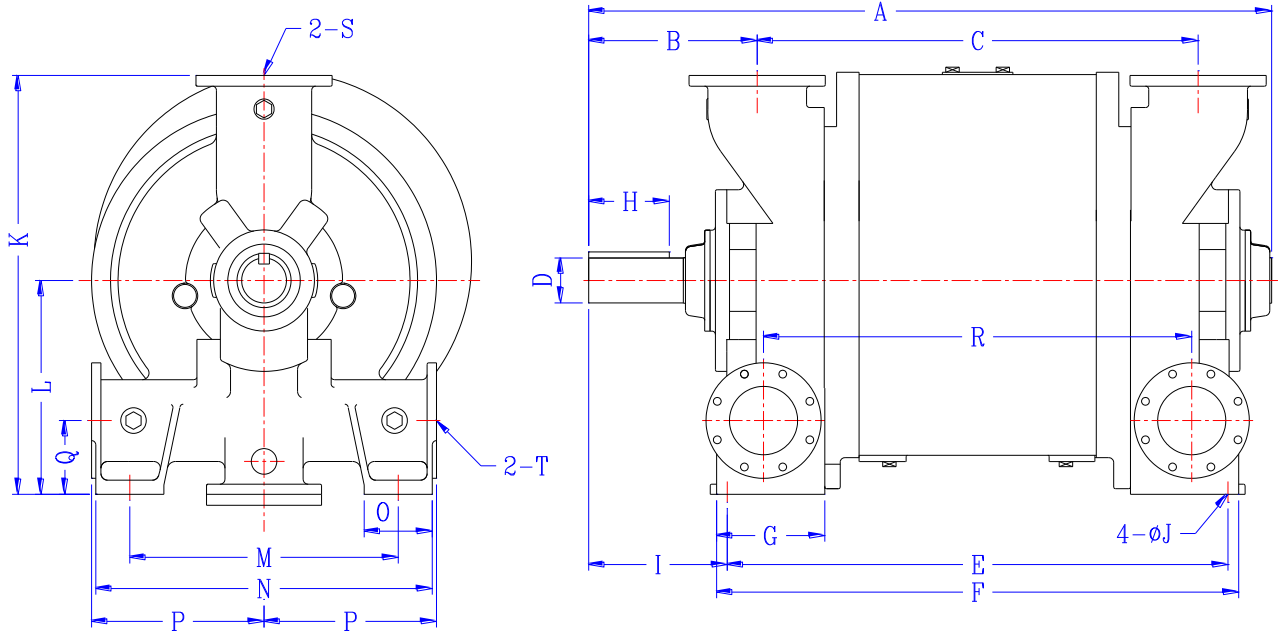
Model Order Code		
<u>CNN - 1 0 0 1 FCD 1M</u>		
CNN	CUTES Corporation Water Ring Vacuum Pump (Install Dimension same as Nash CL SERIES model)	
10	Capacity 1000CFM	
01	Operating Vacuum range	01 : below 400mmHg 02 : 350 ~ 550mmHg 03 : 500 ~ 680mmHg
FCD	Material Construction Code. Ref. below table	
1M	Seal	Empty : Gland Packing 1M : Single Mech. Seal 2M: Double Mech. Seal

Parts Name	FCD	STD	BVC	FXE4	XVE4	XVS	SS4	PVC	PVS	SS6
Cones	FC25	FC25	SCS13	FC25	SCS13	SCS13	SCS13	SCS14	SCS14	SCS14
Head	FC25	FC25	FC25	FC25	FC25	FC25	SCS13	FC25	FC25	SCS14
Housing	FC25	FC25	FC25	FC25	FC25	SCS13	SCS13	FC25	SCS14	SCS14
Lining	----	----	----	304SS	304SS	----	----	----	----	----
Shaft	S45C	S45C	SS410	S45C	SS410	SS410	SS410	SS410	SS410	SS316
Cladding Plate	----	----	----	304SS	304SS	304SS	----	316SS	316SS	----
Bearing Bracket	FCD40	FCD40	FCD40	FCD40	FCD40	FCD40	FCD40	FCD40	FCD40	FCD40
Bearing Cap	FCD40	FCD40	FCD40	FCD40	FCD40	FCD40	FCD40	FCD40	FCD40	FCD40
Rotor	FCD40	SCS13	SCS13	FCD40	SCS13	SCS13	SCS13	SCS14	SCS14	SCS14

Capacity

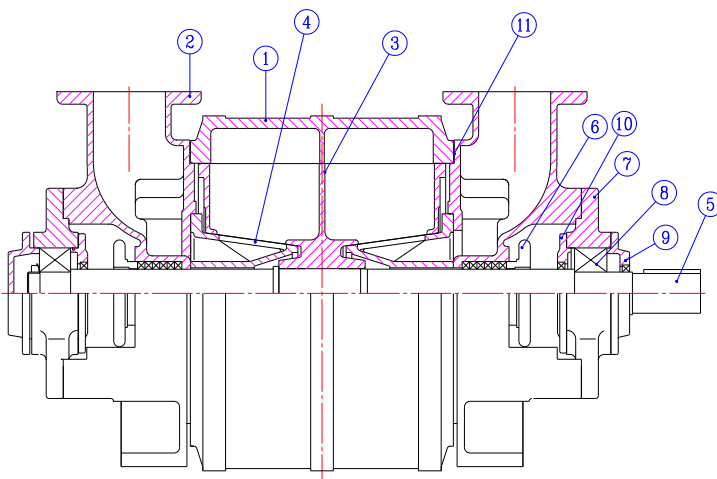


	A	B	C	D	E	F	G	H	I	J	K	L	M	N	O	P	Q	R	S	T	Piping
CNN-300	812	241	432	38.1	410	460	86	80	252	22	406	203	216	266	78	190	165	432	3"	2"	0.5"
CNN-400	902	284	448	41.275	508	572	117	90	254	22	483	229	356	406	80	229	127	448	3"	2.5"	0.75"
CNN-700	1022	304	540	50.8	578	644	117	90	285	22	572	254	400	454	85	254	128	540	4"	3"	1"
CNN-1000	1216	327	680	69.85	632	708	116	100	351	25	660	305	419	480	88	317	194	680	5"	4"	1"
CNN-1500	1330	347	830	76.2	724	858	116	125	400	25	660	305	419	480	88	317	194	830	5"	4"	1"



	A	B	C	D	E	F	G	H	I	J	K	L	M	N	O	P	Q	R	S	T	Piping
CNN-2000	1508	400	908	92.075	1044	1158	203	180	332	32	914	432	622	750	126	381	216	912	6"	5"	1"
CNN-2500	1640	400	1038	95.25	1174	1288	203	180	332	32	914	432	622	750	126	381	216	1042	6"	5"	1"
CNN-3000	1733	464	1028	101.6	1232	1344	222	200	362	32	1118	533	711	864	146	444	178	1054	8"	6"	1"
CNN-4000	2035	502	1314	133.3	1492	1582	305	240	413	32	1244	635	800	1003	203	514	219	1276	10"	8"	1.5"
CNN-6000	2243	550	1428	163.513	1150	1644	305	250	689	45	1683	838	1130	1334	230	679	279	1428	12"	10"	1.5"
CNN-9000	2445	591	1562	174.62	1360	1828	305	290	692	45	2057	1016	1320	1422	216	813	356	1562	14"	12"	2"

Section Drawing



Items	Name	No.
1	Housing	1
2	Heads	2
3	Impeller	1
4	Cones	2
5	Shaft	1
6	Packing Gland	1 set
7	Bearing Carrier	2
8	Bearing	2
9	OB Cap.	2
10	IB Cap	2
11	Gasket	1 set

Exploded View

